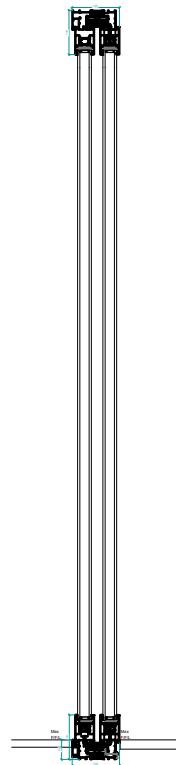
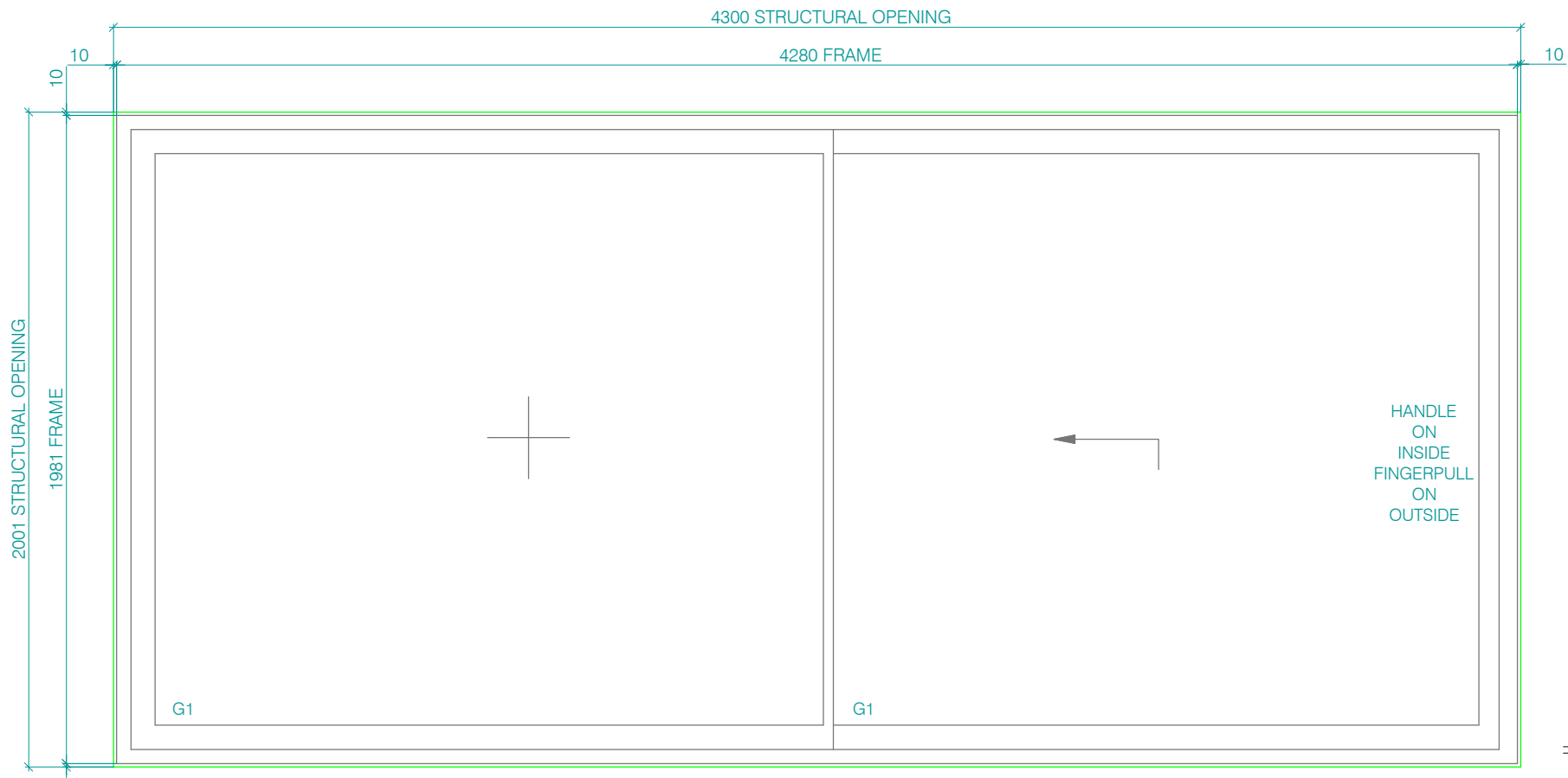


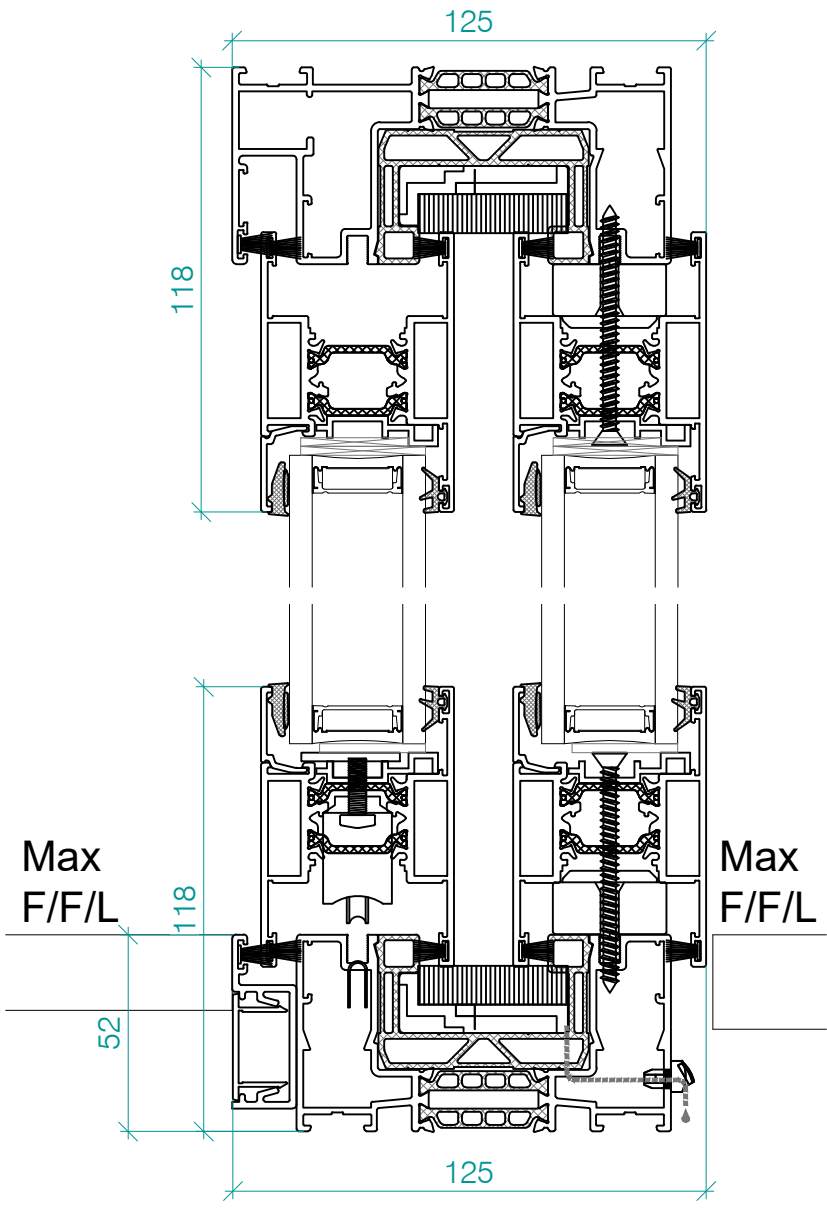
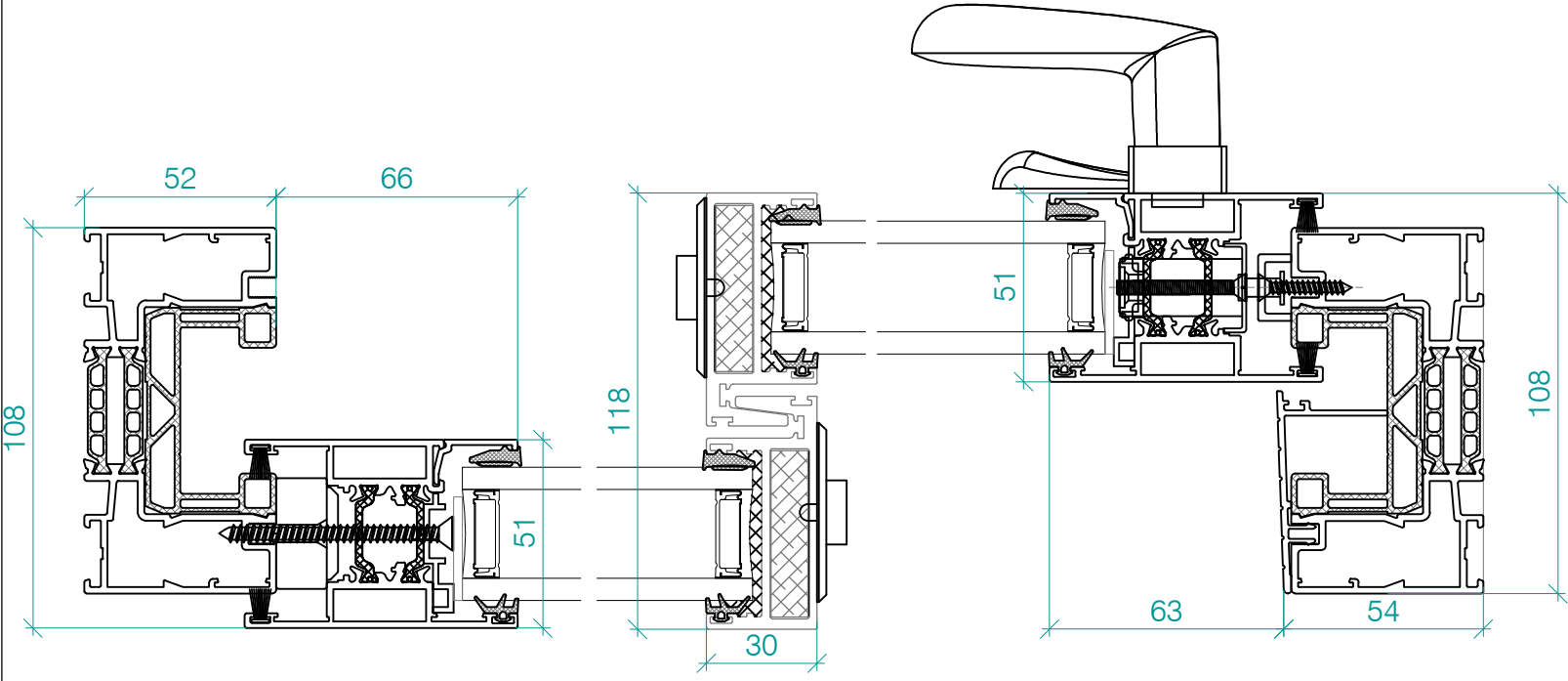
© Eximia Ltd owns the copyright/design right in this drawing and in respect thereof all rights are hereby reserved.

Unless otherwise indicated on our drawings no structural calculations have been carried out by Eximia in respect of designing any supporting steelwork necessary to carry the wind load or the dead load of multiple window and door assemblies and it is the client's responsibility to ensure the structural support is adequate for these loads

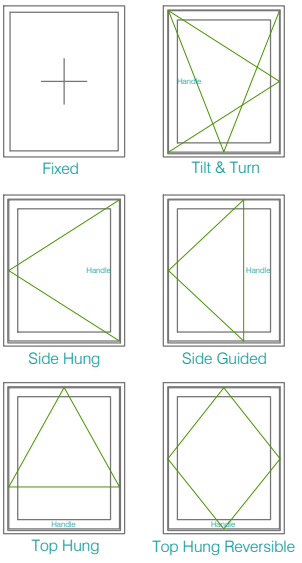
DO NOT SCALE IF IN DOUBT ASK



SVG 30 SLIDING DOOR OX  
VIEWED FROM THE OUTSIDE  
QUANTITY = 1



Window Types:



P1 ISSUED FOR APPROVAL

Revision	Description	Date	Revised By



Client	-
Project	-
Title	SVG
Cad File Name	Drawn By
Date	Scale
Drawing Number	Size
	1:20/1:2
	A3