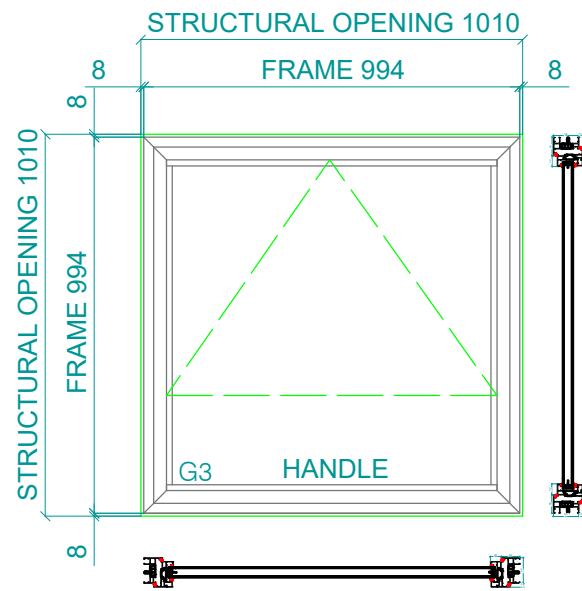
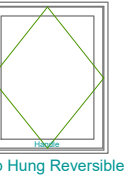
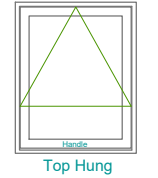
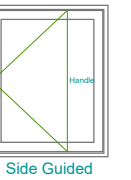
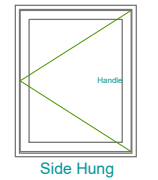
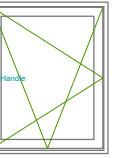
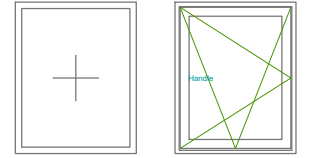


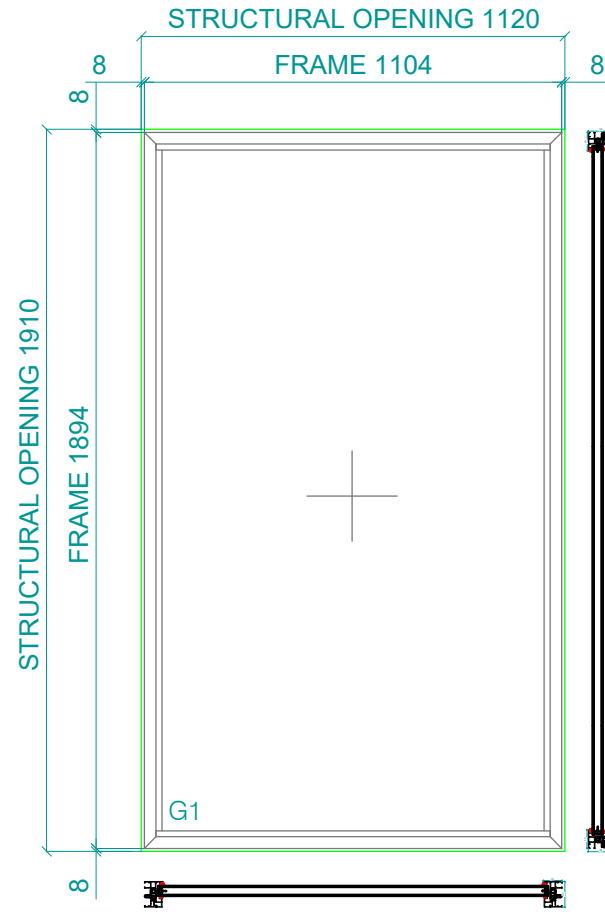
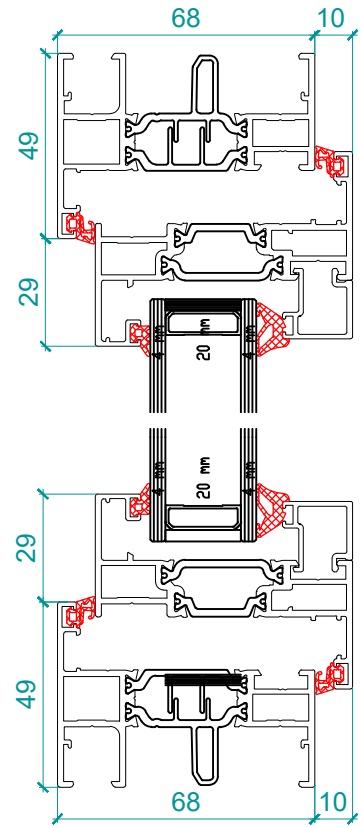
Unless otherwise indicated on our drawings no structural calculations have been carried out by Eximia in respect of designing any supporting steelwork necessary to carry the wind load or the dead load of multiple window and door assemblies and it is the client's responsibility to ensure the structural support is adequate for these loads

DO NOT SCALE IF IN DOUBT ASK

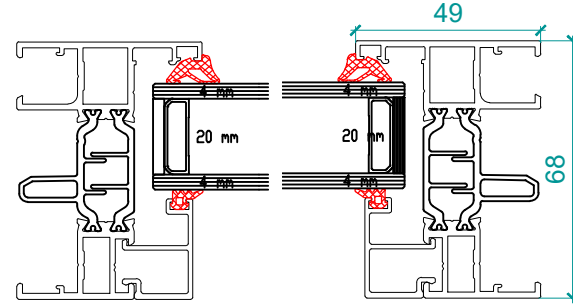
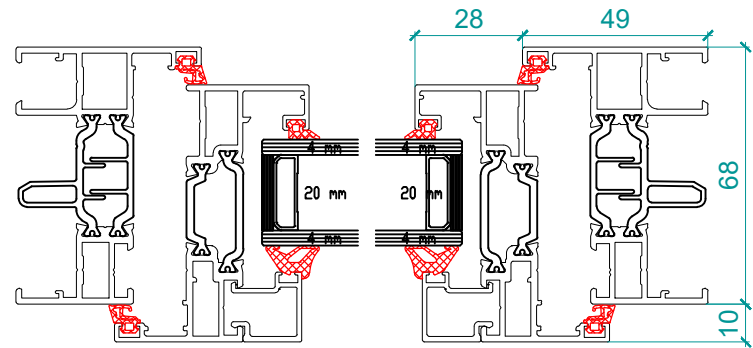
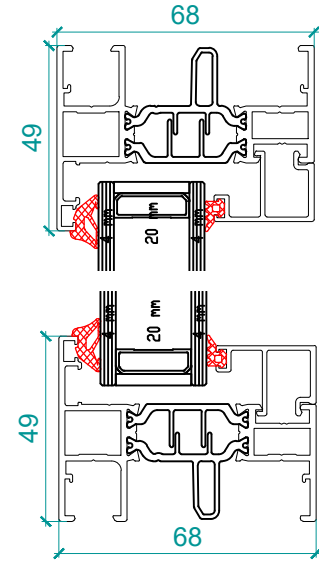
Window Types:



SL68  
TOP HUNG  
QUANTITY = 1  
VIEWED FROM THE OUTSIDE  
LOCATION



SL68  
FIXED  
QUANTITY = 1  
VIEWED FROM THE OUTSIDE  
LOCATION



Revision	Description	Date	Revised By
-	-	-	-



Client	-
Project	-
Title	SL68 Typical Sections
Cad File Name	Drawn By
Date	Scale
1:20/1:2	Size
A3	Revision