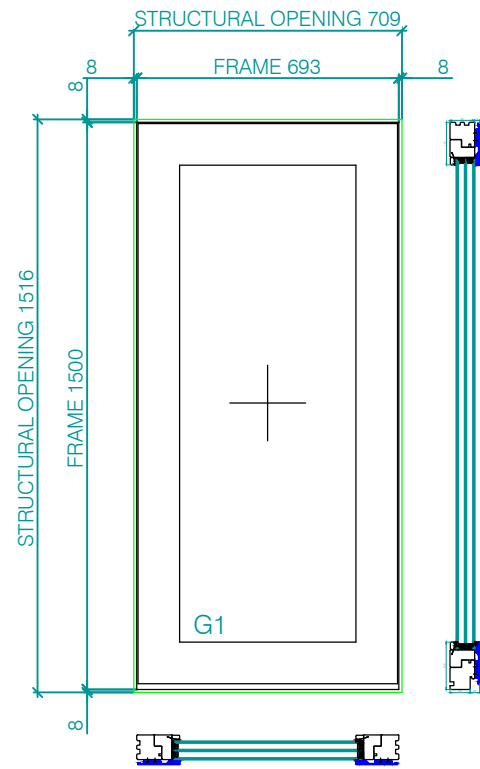
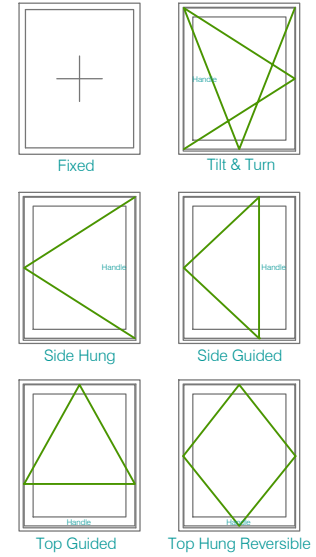
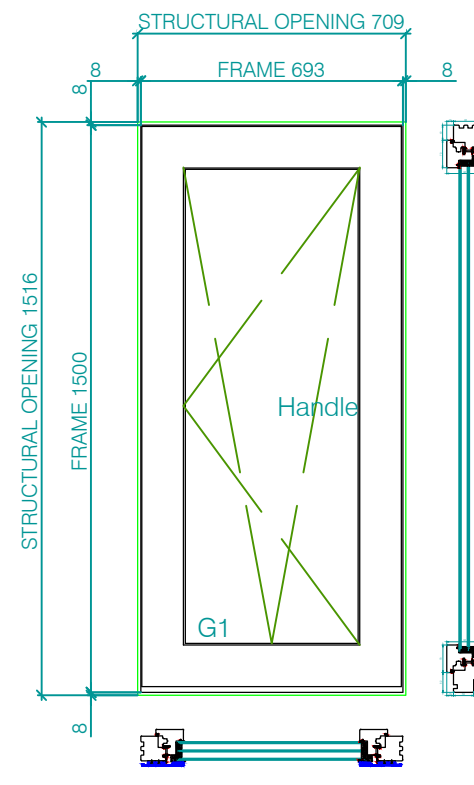
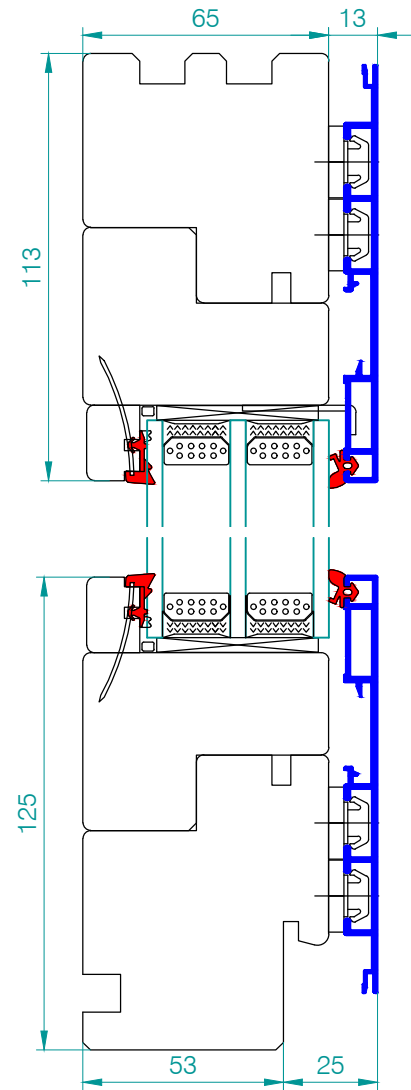


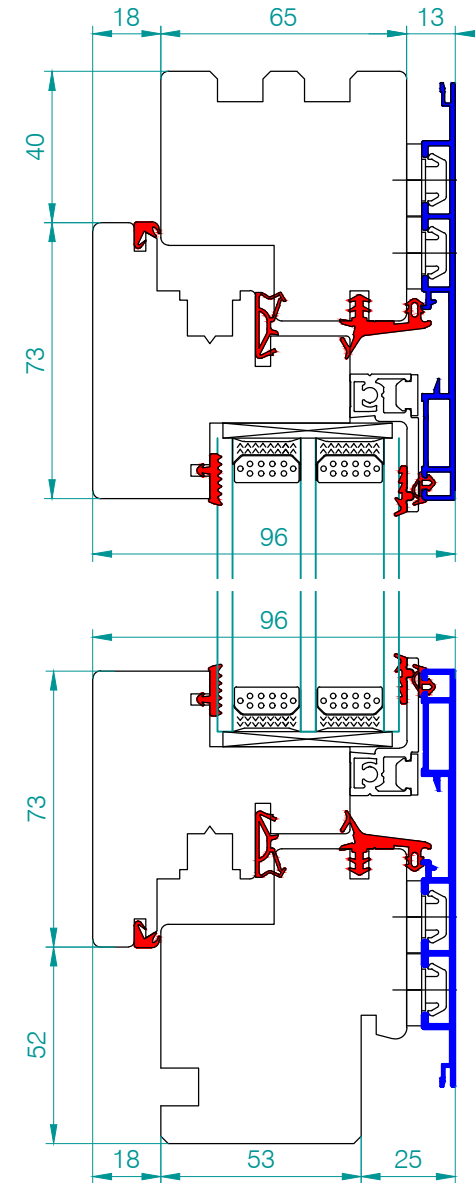
Window Types:



PURO TRIPLE GLAZED
FIXED
VIEWED FROM THE OUTSIDE
QUANTITY = 1
LOCATION:



PURO TRIPLE GLAZED
TILT & TURN
VIEWED FROM THE OUTSIDE
QUANTITY = 1
LOCATION:



Revision	Description	Date	Revised By
P1	ISSUED FOR APPROVAL	-	-

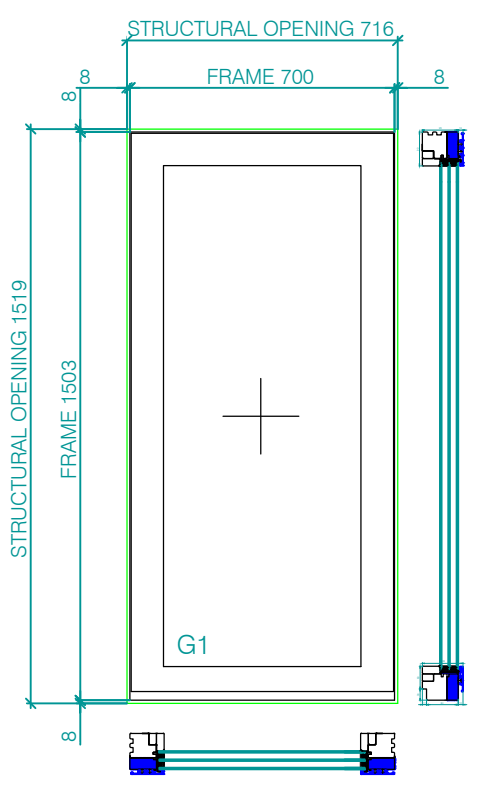
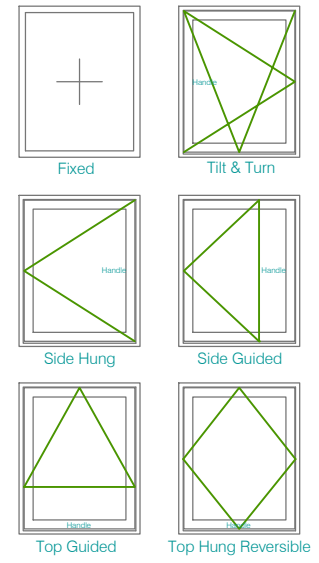


Client	-	
Project	-	
Title	Puro Alu Typical Sections	
Cad File Name	Drawn By	Checked
Date	Scale	Size
-	1:20/1:2	A3
Drawing Number	Revision	-

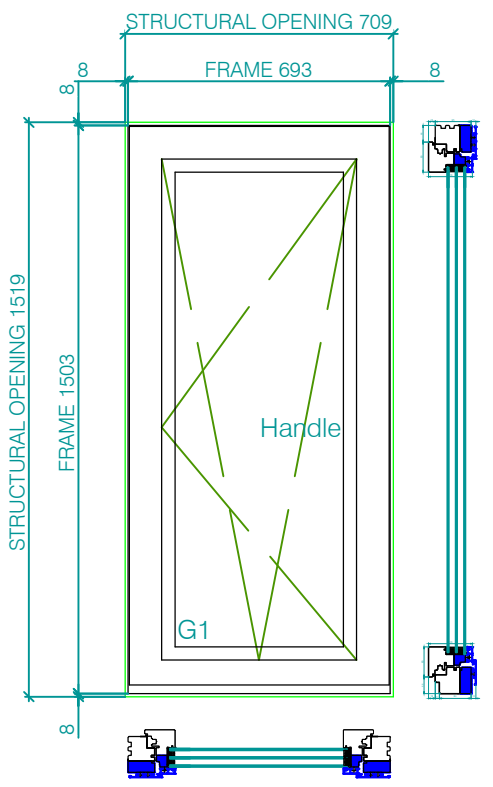
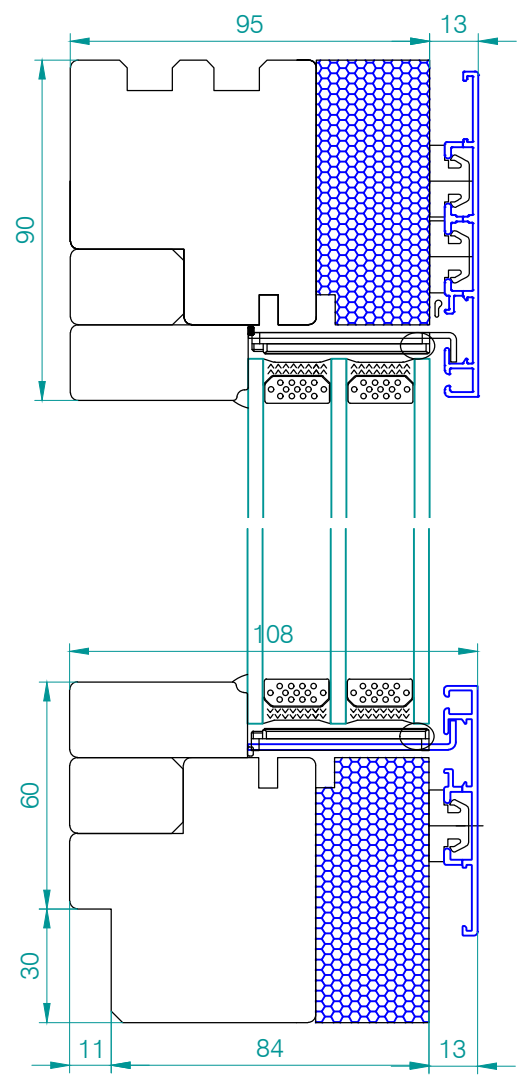
Unless otherwise indicated on our drawings no structural calculations have been carried out by Eximia in respect of designing any supporting steelwork necessary to carry the wind load or the dead load of multiple window and door assemblies and it is the client's responsibility to ensure the structural support is adequate for these loads

DO NOT SCALE IF IN DOUBT ASK

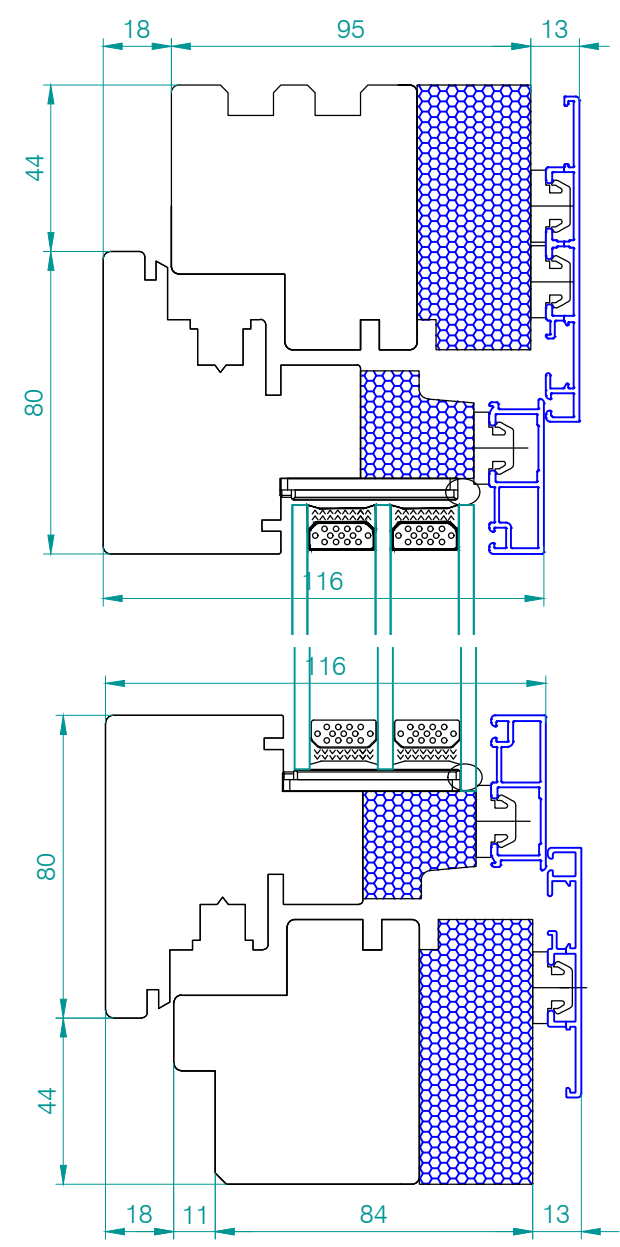
Window Types:



PURO PASSIVE TRIPLE GLAZED
FIXED
VIEWED FROM THE OUTSIDE
QUANTITY = 1
LOCATION:



PURO PASSIVE TRIPLE GLAZED
TILT & TURN
VIEWED FROM THE OUTSIDE
QUANTITY = 1
LOCATION:



P1 ISSUED FOR APPROVAL

Revision	Description	Date	Revised By



Client: -

Project: -

Title: Puro Passiv Alu Typical Sections

Cad File Name: - Drawn By: - Checked: -

Date: - Scale: 1:20/1:2 Size: A3

Drawing Number: - Revision: -