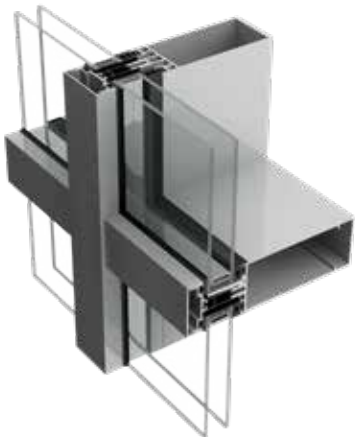


SL52 Curtain Walling System



The SL52 is a capped, thermally broken system and has been designed to offer a flexible, high performance solution. This enables specifiers to create impressive façades that not only enhance the aesthetics of a building but also provide the functionality and performance required to meet and exceed current standards.

This system has been tested to CWCT Sequence B and has been designed to be fully integrated with AluK window, doors and brise soleil systems to provide a complete façade solution.

DESIGN FEATURES

- › 52mm capped high rise curtain walling system
- › Can be faceted, curved or raked
- › Mullion or zonal drainage available
- › Wide range of face caps to meet your design requirements
- › Fully integrated vent options including POV, TBT, Top Hung, Side Hung
- › Large range of box sizes to optimise small to large spans of glazing

OPTIONS

- › Glazing and infill range from 6mm - 50mm
- › Fully integrates with all AluK window and door ranges
- › Available in a range of polyester powder coating and anodised finishes

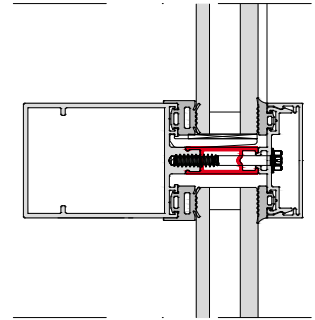
SPECIFICATIONS

Performance and accreditations	SL52
Air Permeability	600Pa
Water Tightness	600Pa
Wind Resistance	2400Pa
Wind Resistance Safety	3600Pa
Acoustic Performance	37 Rw dB
CWCT Certified	Sequence B
System	
Wdith	52mm
Depth	50-200mm
Inserted window and door configurations	
Fixed Light	✓
Tilt & Turn	✓
Top Hung	Concealed & Framed
Side Hung	Concealed & Framed
Parallel Opening Window	Concealed & Framed
Single Door	Swinging & Sliding
Double Doors	Swinging & Sliding
Weight limits	
Fixed Light Max. Weight	400kg
Tilt & Turn Max. Weight	130kg
Top Hung Max. Weight	180kg
Side Hung Max. Weight	55kg
Parallel Opening Window Max. Weight	200kg
Single Door Max. Weight	160kg
Glazing	
Glazing Options	Capped
Glazing Thickness	6mm - 50mm
Design	
Drainage	Mullion & Zonal
Faceted	✓
Sloped	×
Curved	✓
Capping Options	
Aerofoil	✓
Square	✓
Rectangular	✓
Round	✓
Fin	✓

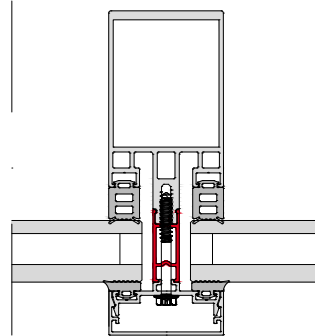
CAD CROSS SECTIONS AND THERMAL PROFILE

Additional details are available on request.

➤ SL52 TRANSOM



➤ SL52 MULLION



➤ SL52 THERMAL PROFILE

