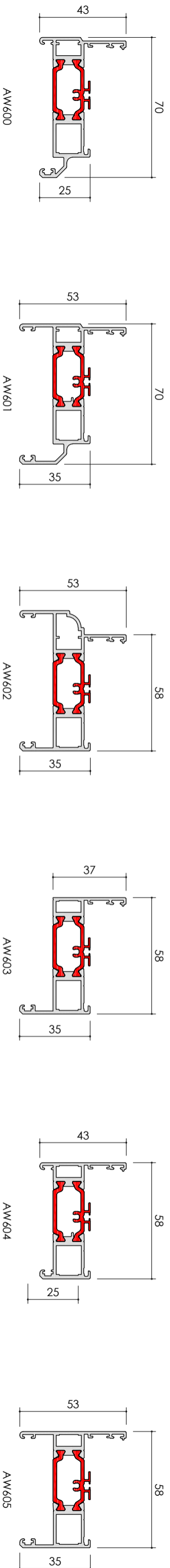
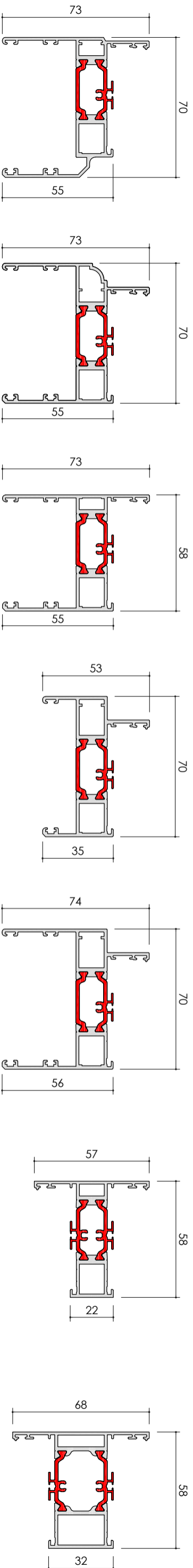


OUTER FRAME

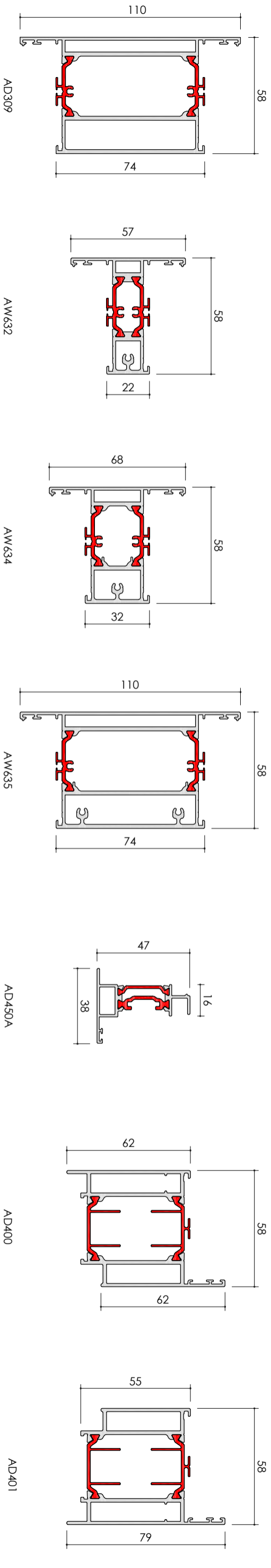


OUTER FRAME



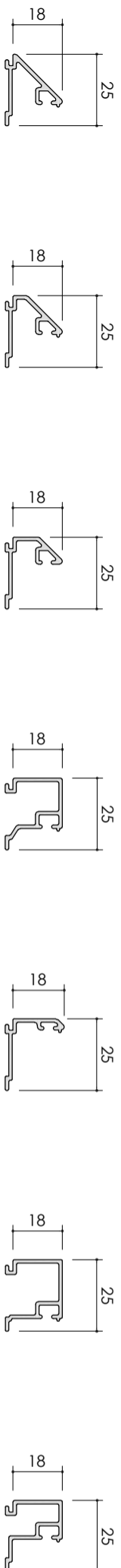
MULLION / TRANSOM & MIDRAIL

MULLION / TRANSOM & MIDRAIL



FLOATING MULLION

GLAZING BEAD



WEATHER BAR

