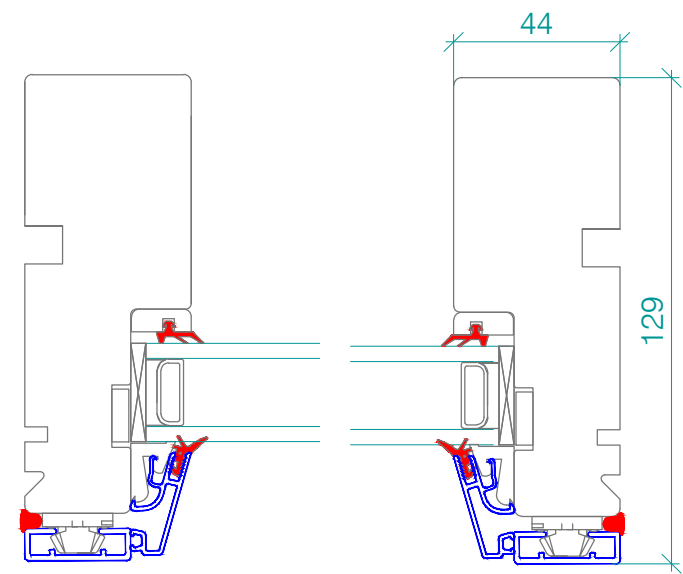
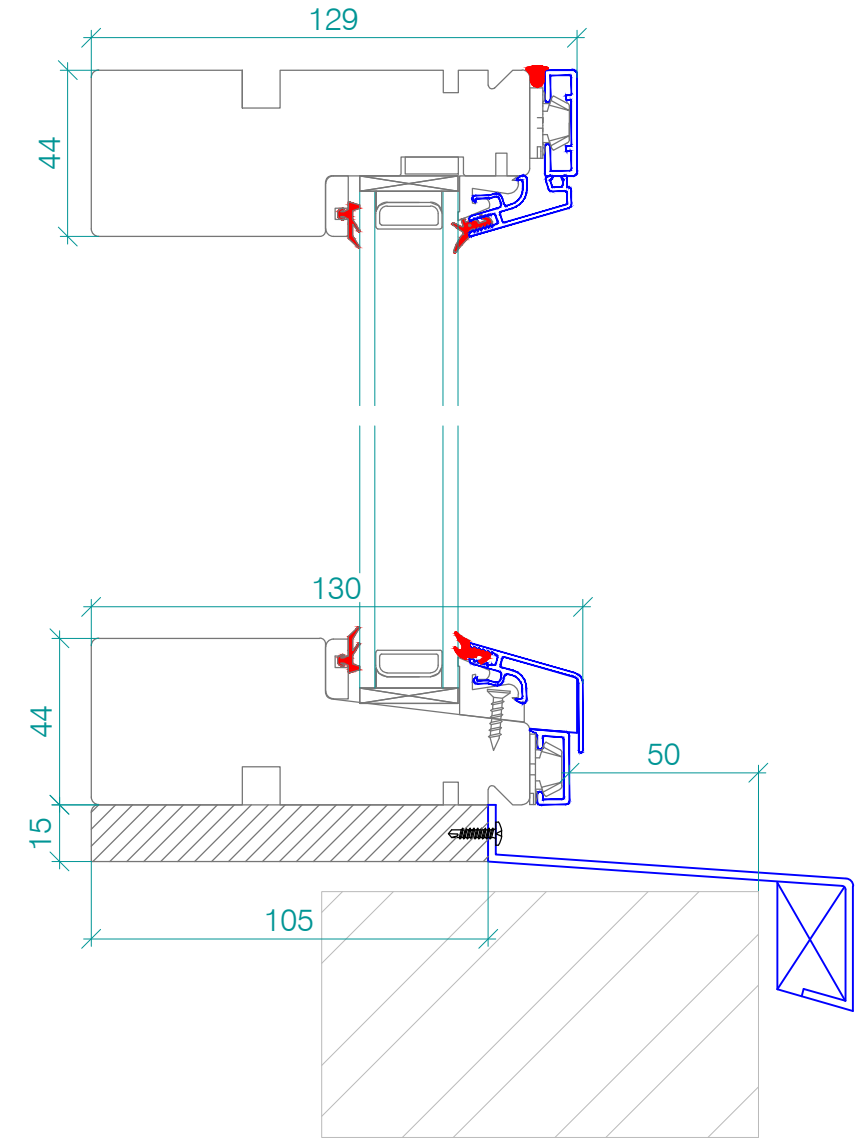
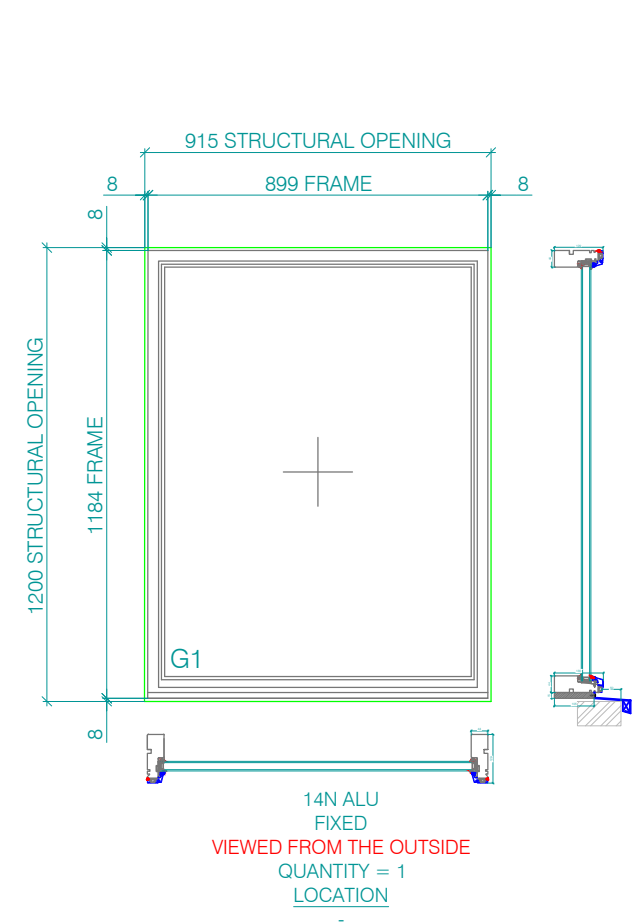


© Eximia Ltd owns the copyright/design right in this drawing and in respect thereof all rights are hereby reserved.

Unless otherwise indicated on our drawings no structural calculations have been carried out by Eximia in respect of designing any supporting steelwork necessary to carry the wind load or the dead load of multiple window and door assemblies and it is the client's responsibility to ensure the structural support is adequate for these loads

DO NOT SCALE IF IN DOUBT ASK



CAN BE SUPPLIED WITH OR WITHOUT THE
TIMBER PACKER AND CILL FLASHING

Window Types:

Fixed	Tilt & Turn
Side Hung	Side Guided
Top Guided	Top Hung Reversible

Revision	Description	Date	Revised By



Client: _____

Project: _____

Title: **VK14 ALU FIXED WINDOW**

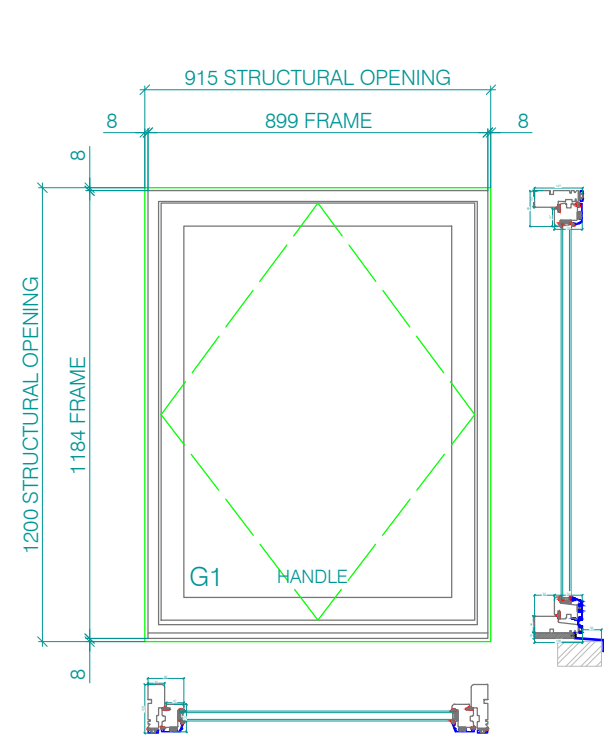
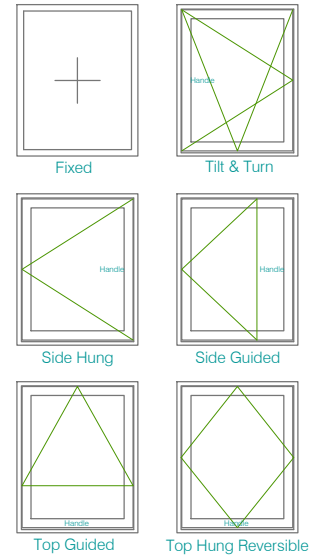
Cad File Name: _____ Drawn By: _____ Checked: _____

Date: _____ Scale: 1:20/1:2 Size: **A3**

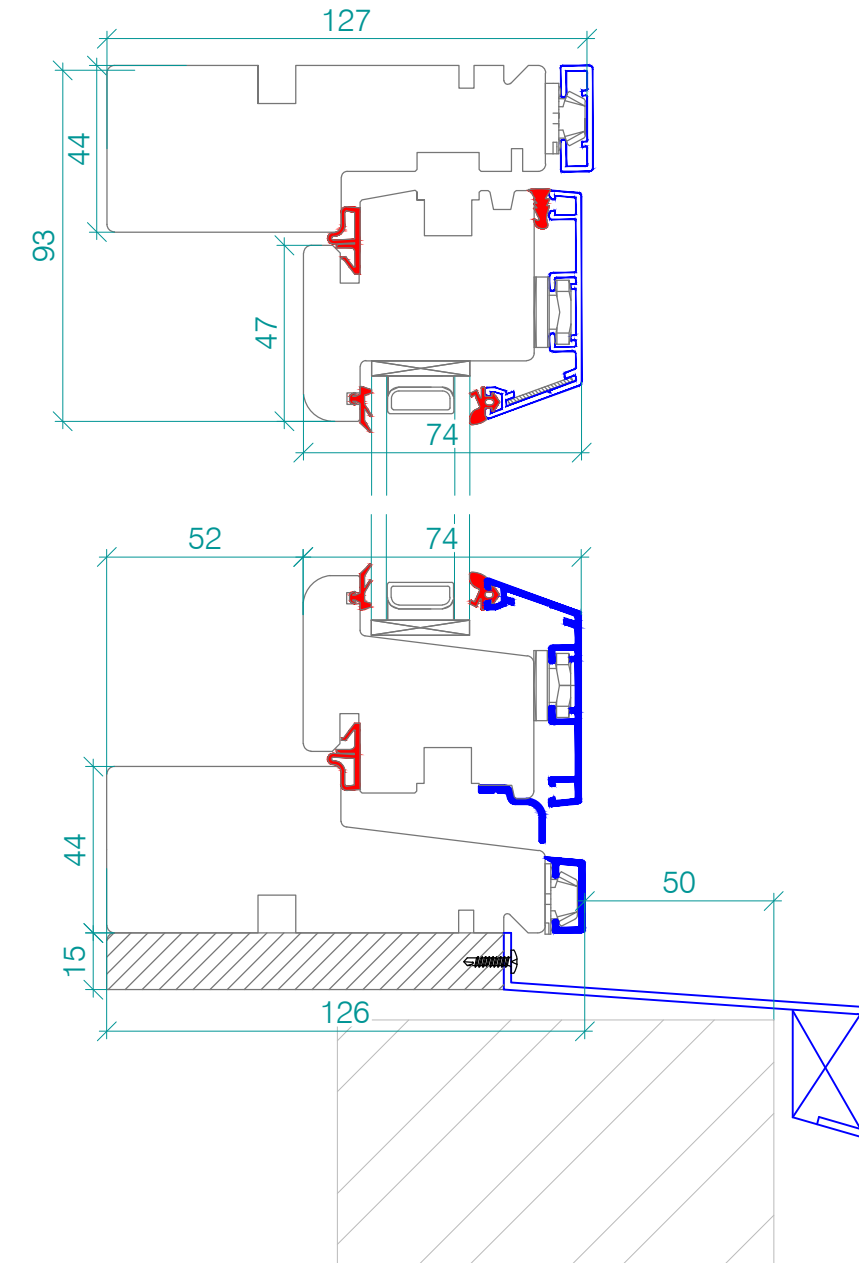
Drawing Number: _____ Revision: _____

DO NOT SCALE IF IN DOUBT ASK

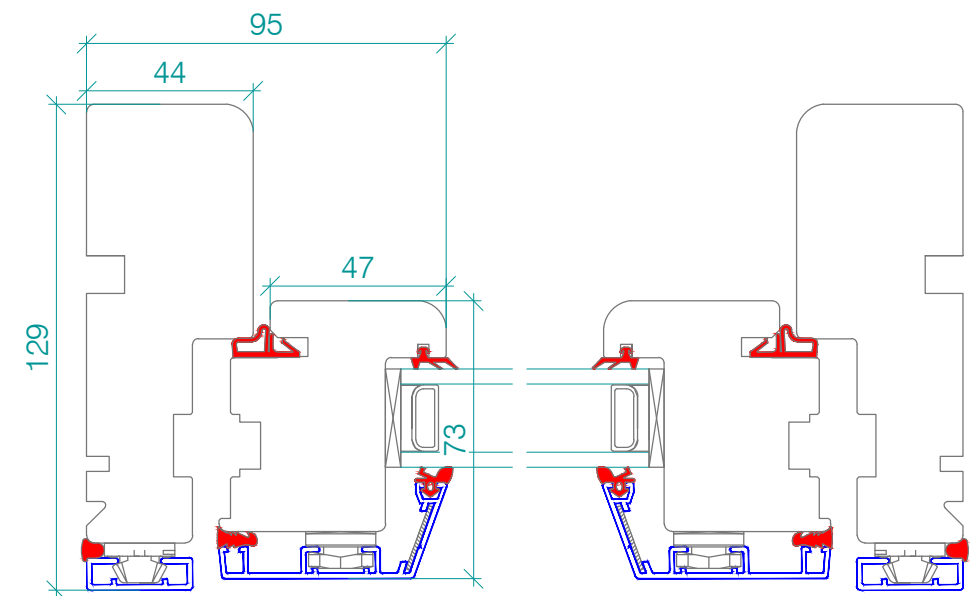
Window Types:



14N ALU
TOP HUNG REVERSIBLE
VIEWED FROM THE OUTSIDE
QUANTITY = 1
LOCATION



CAN BE SUPPLIED WITH OR WITHOUT THE
TIMBER PACKER AND CILL FLASHING



Revision	Description	Date	Revised By



Client: _____

Project: _____

Title: **VK14 ALU OPENING WINDOW**

Cad File Name: _____ Drawn By: _____ Checked: _____

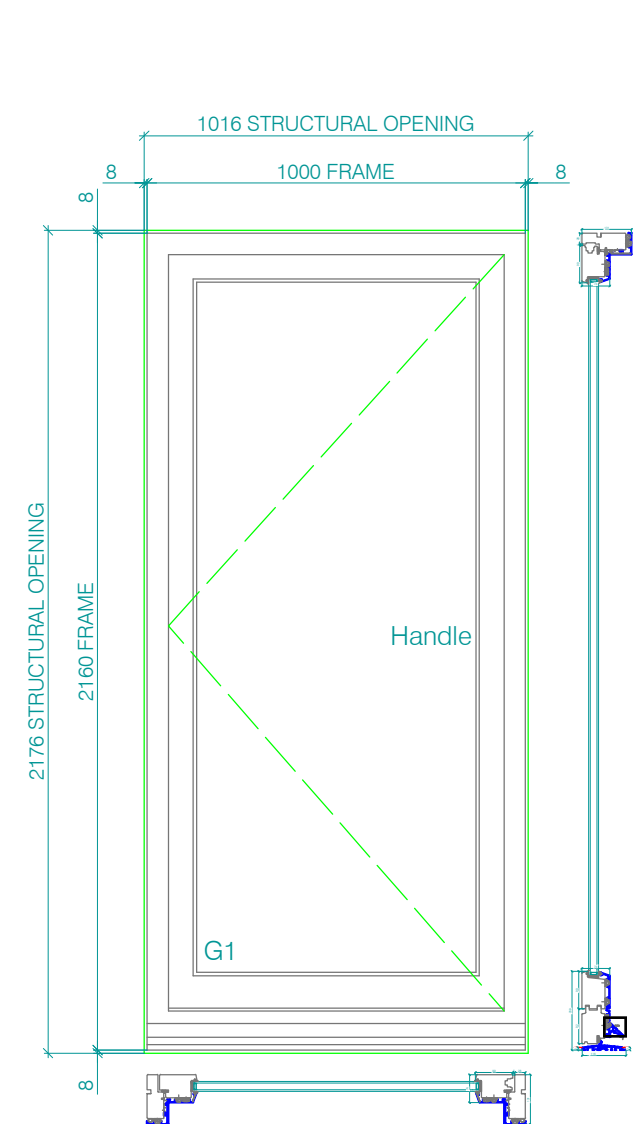
Date: _____ Scale: 1:20/1:2 Size: **A3**

Drawing Number: _____ Revision: _____

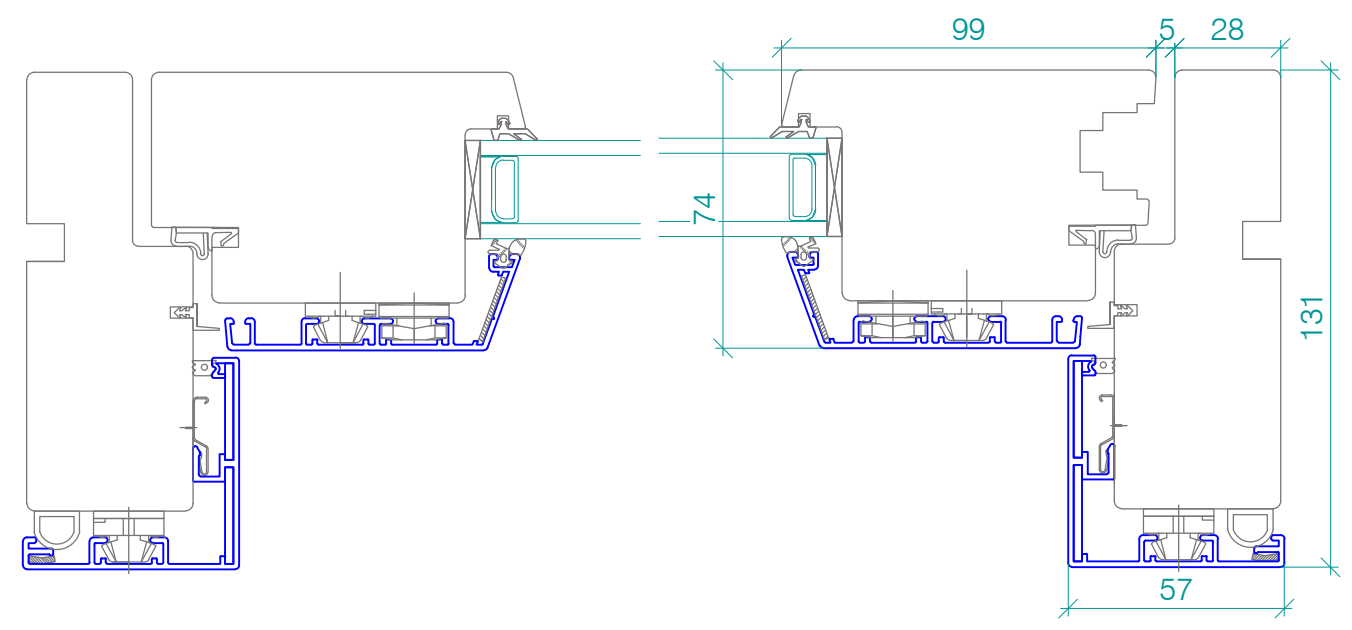
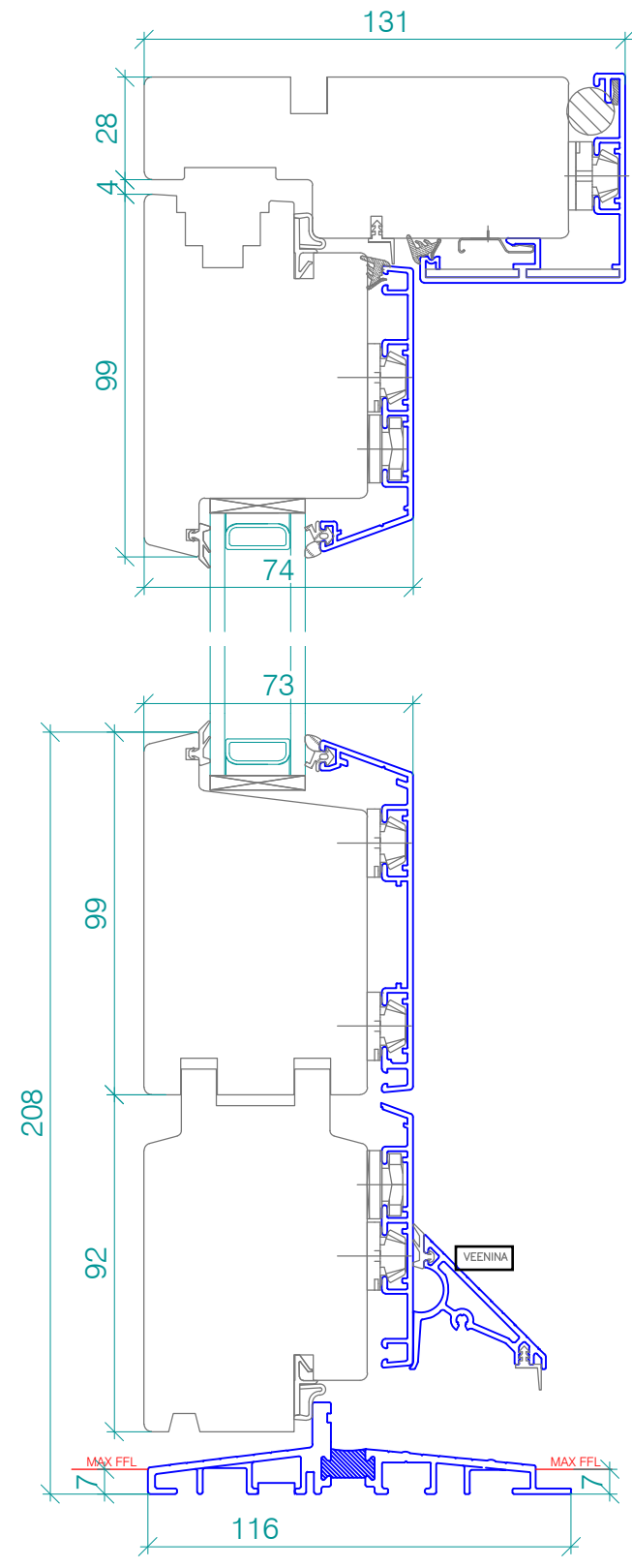
© Eximia Ltd owns the copyright/design right in this drawing and in respect thereof all rights are hereby reserved.

Unless otherwise indicated on our drawings no structural calculations have been carried out by Eximia in respect of designing any supporting steelwork necessary to carry the wind load or the dead load of multiple window and door assemblies and it is the client's responsibility to ensure the structural support is adequate for these loads

DO NOT SCALE IF IN DOUBT ASK



VISION ALUCLAD
INWARD OPENING
VIEWED FROM THE OUTSIDE
QUANTITY = 1
LOCATION:



Window Types:

Fixed	Tilt & Turn
Side Hung	Side Guided
Top Guided	Top Hung Reversible

Revision	Description	Date	Revised By
-	-	-	-



Eximia Glazing Systems Ltd
Unit 32 British Fields
Ollerton Road, Tuxford
Newark, Notts, NG22 9PQ
T: 07720 967 846
E: rigell@eximaglazing.co.uk
W: www.eximaglazing.co.uk

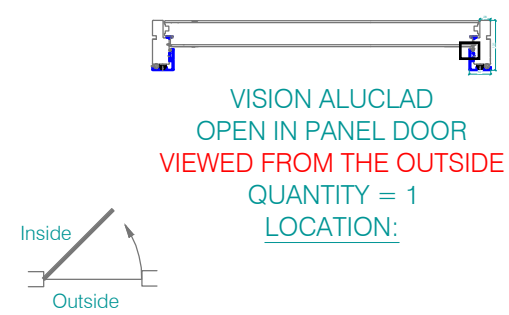
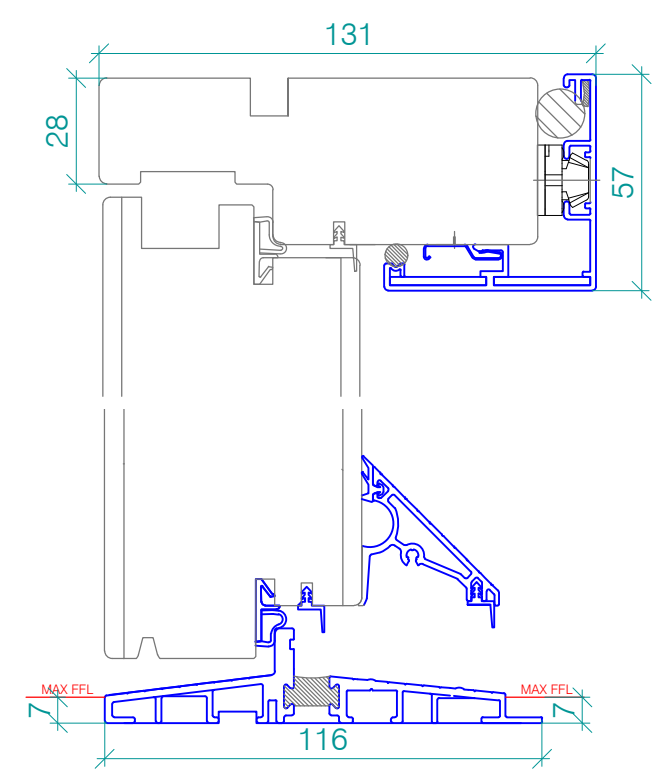
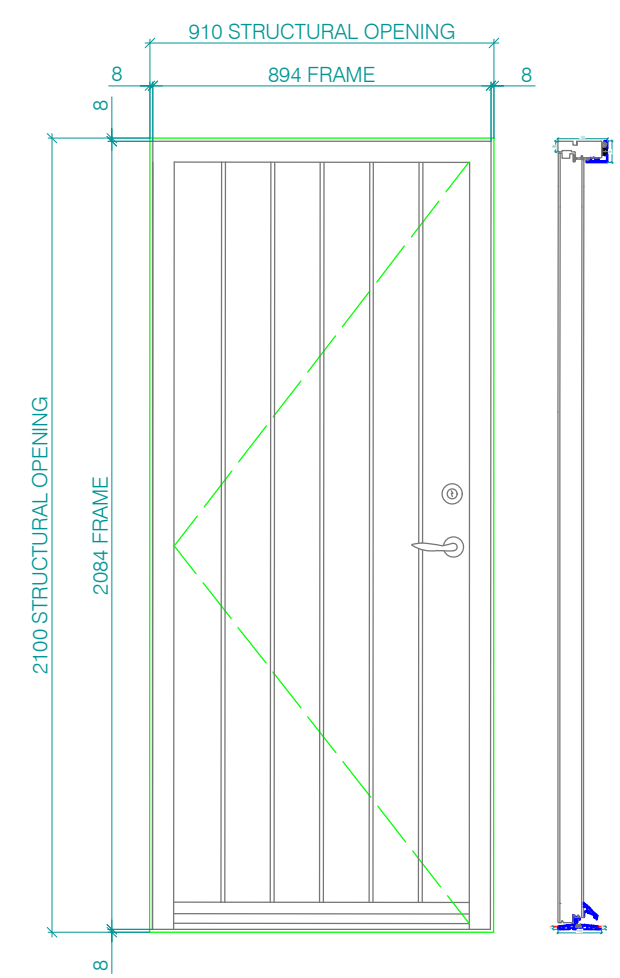
Client	-
Project	-
Title	VK14 Alu Vision Glazed Door
Cad File Name	Drawn By
Date	Scale
Drawing Number	Revision

A3

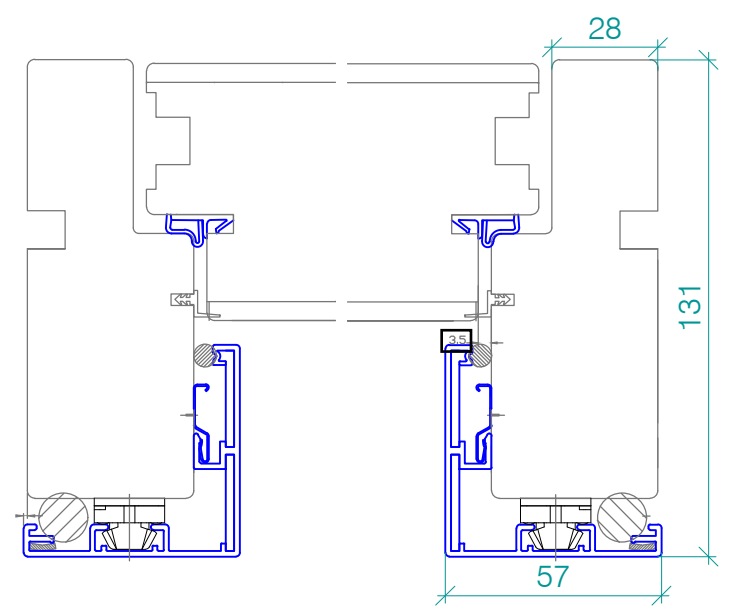
© Eximia Ltd owns the copyright/design right in this drawing and in respect thereof all rights are hereby reserved.

Unless otherwise indicated on our drawings no structural calculations have been carried out by Eximia in respect of designing any supporting steelwork necessary to carry the wind load or the dead load of multiple window and door assemblies and it is the client's responsibility to ensure the structural support is adequate for these loads

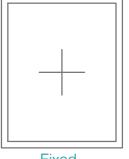
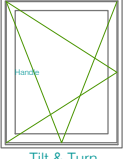
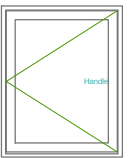
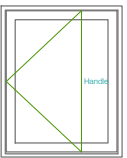
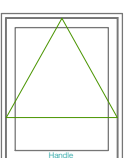
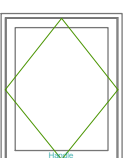
DO NOT SCALE IF IN DOUBT ASK



VISION ALUCLAD
OPEN IN PANEL DOOR
VIEWED FROM THE OUTSIDE
QUANTITY = 1
LOCATION:



Window Types:

 Fixed	 Tilt & Turn
 Side Hung	 Side Guided
 Top Guided	 Top Hung Reversible

Revision	Description	Date	Revised By
-	-	-	-



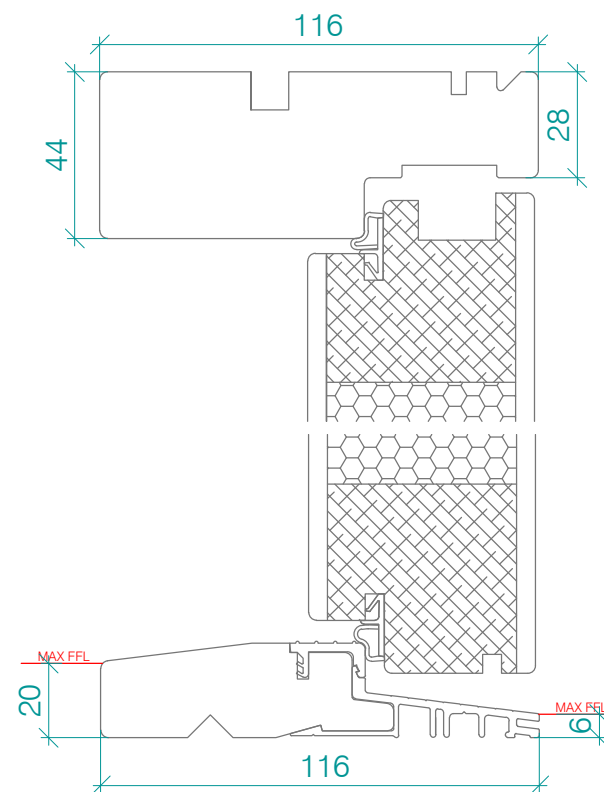
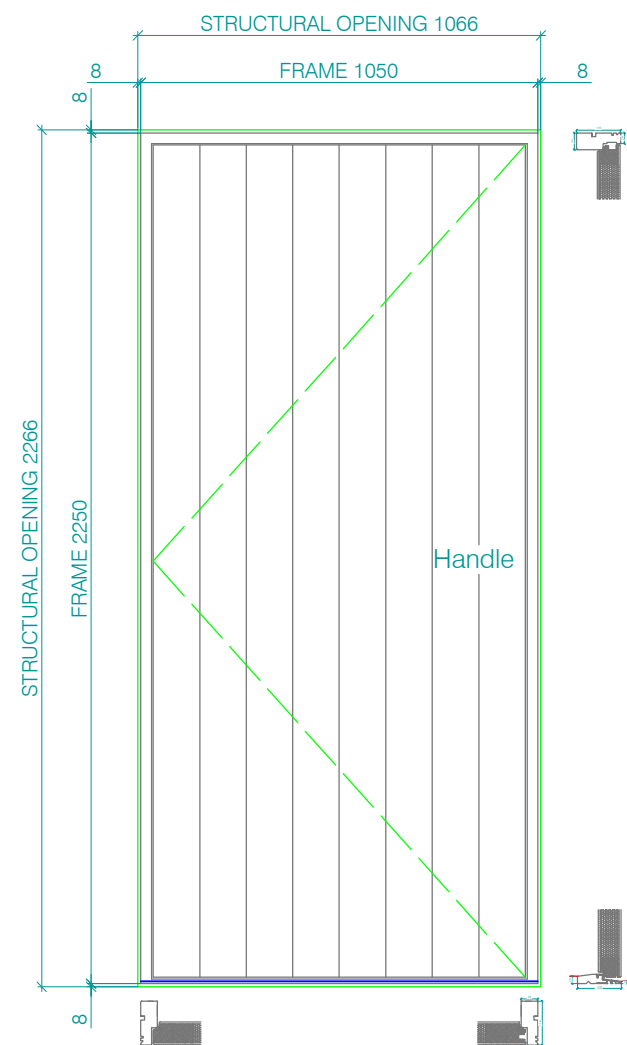
Eximia Glazing Systems Ltd
Unit 32 British Fields
Ollerton Road, Tuxford
Newark, Notts, NG22 0PQ
T: 07720 967 846
E: rigell@eximaglazing.co.uk
W: www.eximaglazing.co.uk

Client	-
Project	-
Title	VK14 Alu Vision Panel Door
Cad File Name	-
Drawn By	-
Checked	-
Date	-
Scale	1:20/1:2
Size	A3
Drawing Number	-
Revision	-

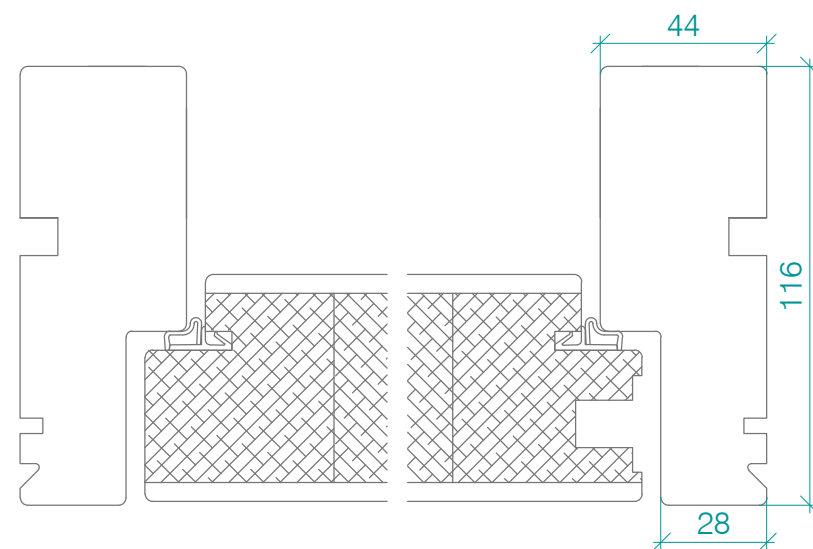
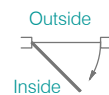
© Eximia Ltd owns the copyright/design right in this drawing and in respect thereof all rights are hereby reserved.

Unless otherwise indicated on our drawings no structural calculations have been carried out by Eximia in respect of designing any supporting steelwork necessary to carry the wind load or the dead load of multiple window and door assemblies and it is the client's responsibility to ensure the structural support is adequate for these loads

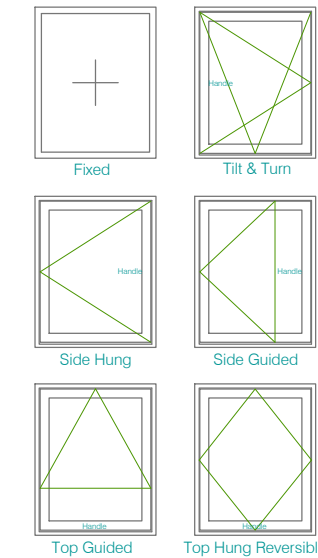
DO NOT SCALE IF IN DOUBT ASK



VISION TIMBER DOOR
OUTWARD OPENING
VIEWED FROM THE OUTSIDE
QUANTITY = 1
LOCATION:



Window Types:



Revision	Description	Date	Revised By
-	-	-	-



Eximia Glazing Systems Ltd
Unit 32 British Fields
Ollerton Road, Tuxford
Newark, Notts, NG22 0PQ
T: 07720 967 846
E: nigel@eximiazglazing.co.uk
W: www.eximiazglazing.co.uk

Client: _____

Project: _____

Title: **VK14 Vision Panel Door
Outward Opening**

Cad File Name: _____ Drawn By: _____ Checked: _____

Date: _____ Scale: 1:20/1:2 Size: **A3**

Drawing Number: _____ Revision: _____