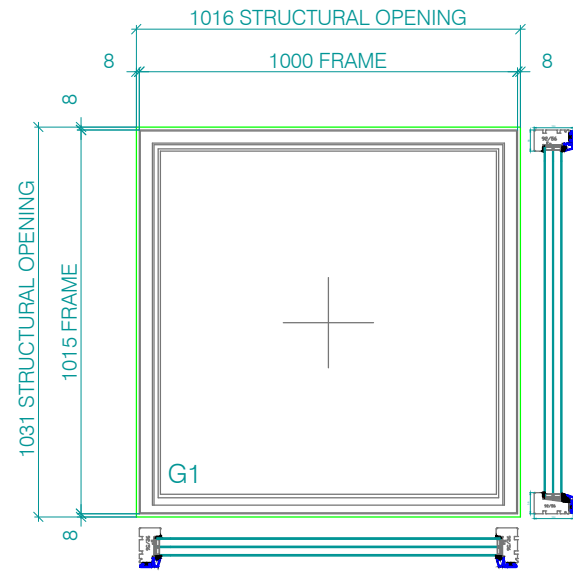
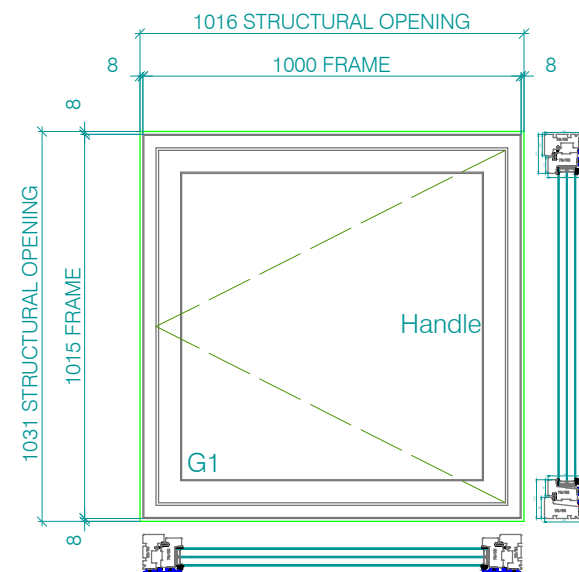
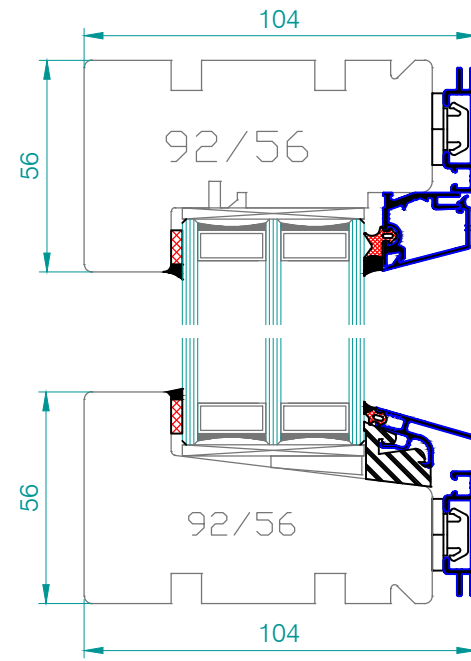


Unless otherwise indicated on our drawings no structural calculations have been carried out by Eximia in respect of designing any supporting steelwork necessary to carry the wind load or the dead load of multiple window and door assemblies and it is the client's responsibility to ensure the structural support is adequate for these loads

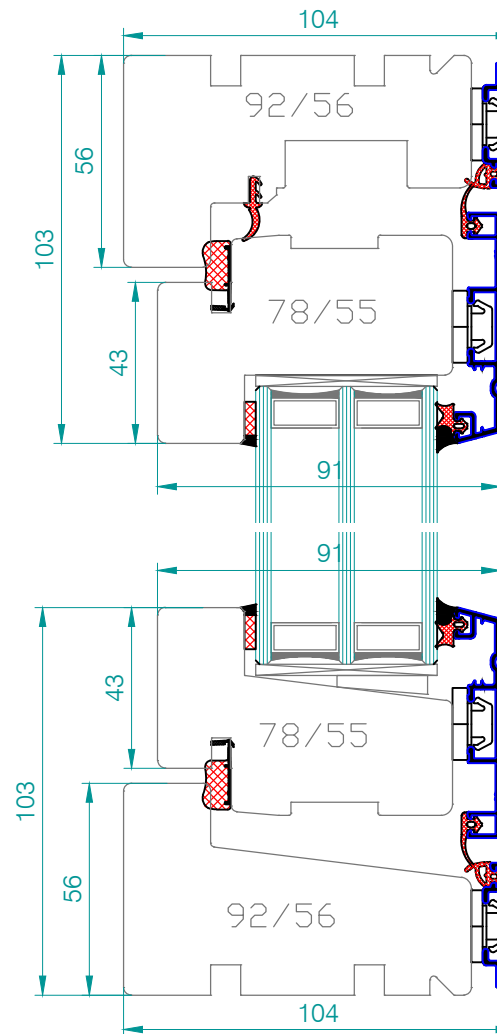
DO NOT SCALE IF IN DOUBT ASK



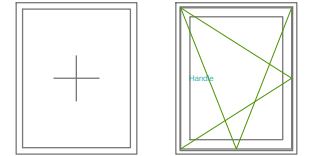
LUMIS
FIXED
VIEWED FROM THE OUTSIDE
QUANTITY = 1
LOCATION



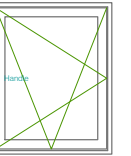
LUMIS
SIDE HUNG
VIEWED FROM THE OUTSIDE
QUANTITY = 1
LOCATION



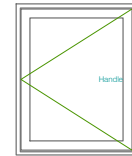
Window Types:



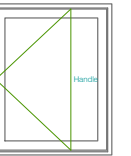
Fixed



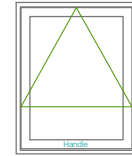
Tilt & Turn



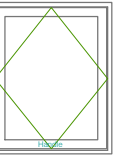
Side Hung



Side Guided



Top Guided



Top Hung Reversible

P1 ISSUED FOR APPROVAL

Revision	Description	Date	Revised By



Eximia Glazing Systems Ltd
Unit 32 British Fields
Ollerton Road, Luford
Newark, Notts, NG22 0PQ
T: 07720 967 846
E: Nigel@eximaglazing.co.uk
W: www.eximaglazing.co.uk

Client: -

Project: -

Title: Lumis Sections & Elevations

Cad File Name: - Drawn By: - Checked: -

Date: - Scale: 1:20/1:2 Size: A3

Drawing Number: - Revision: -